



Quality is the base





Talamex Comfortline

Quality is the base

A well-equipped boat with excellent sailing characteristics for an honest price. That's where the Talamex Comfortline stands for.

The Talamex Comfortline distinguishes itself from the Aqualine by its thicker PVC fabric, wider bow and various features such as an overpressure relief valve, extra handles and luxurious oars. The

Comfortline is manufactured of 0,9mm durable and high quality 1100 decitex PVC fabric. The boats are equipped with an overpressure relief valve, anti sprayflaps, adjustable aluminium seatbench, SS lifting and towing eyes and aluminium oars. In the standard package of the boats is among other: a repair kit, double-action handpump, fueltank strap*, mooring line* and

a packing bag*. The boats have 2 year warranty and all Talamex boats are CE certified by the Dutch Marine Inspection, making them meet all European requirements!

** except TLRA series*

A varied selection

There are 2 different models available. All of high quality, but distinctive in the floor and bottom of the boat.

TLA air floor:

the inflatable floor and keel create a V-shaped floor which give the boat excellent sailing and rowing qualities. Lightweight, small packed and quick to set-up

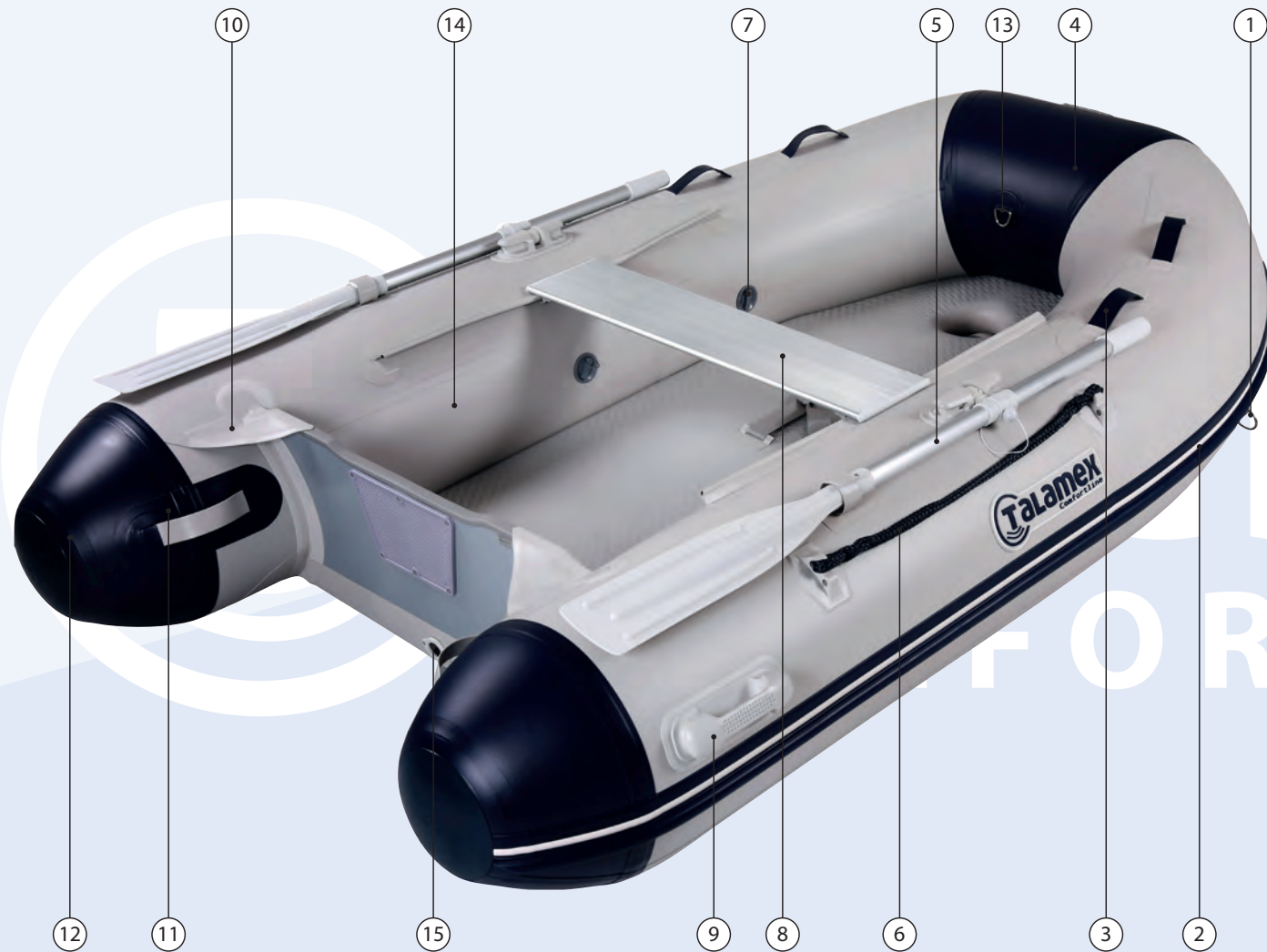
TLX aluminium floor:

with inflatable keel and aluminium floor which provides great strength, stability and robustness. Perfect for planing. The TLX comes standard with a packing bag for the floor panels

TLRA Aluminium RIB 270:

with a fixed single-deck aluminium V-floor. Strong, lightweight, stable and highly manoeuvrable. Perfectly suitable for the davits

Fully equipped



- ① SS bow handle and towing D-rings on the bow
- ② Rubbing strake
- ③ Soft handles for comfortable grip
- ④ High sheer
- ⑤ Aluminium oars
- ⑥ Lifeline for extra security
- ⑦ Overpressure relief valve
- ⑧ Adjustable aluminium seatbench
- ⑨ Hard handles
- ⑩ Anti sprayflaps
- ⑪ Soft handles on the end cones
- ⑫ Solid end cones for better protection
- ⑬ SS lifting D-ring
- ⑭ High quality 0,9mm 1100 decitex PVC fabric
- ⑮ Luxurious sliding drainvalve



Multi chamber system

All Talamex Comfortline models have a minimum of 3 air chambers for maximum security.



Luxurious sliding drainvalve

From the inside controlled sliding drainvalve.



Massive rubbing strake

Strong massive rubbing strake.



Hard handle

High quality double functional handles thanks to the built in cleats.



SS towing D-rings

Two strong SS D-rings on the bow.



Overpressure relief valve

Your boat is protected against damage from excess pressure thanks to the smart pressure relief valve.



Aluminium oars

Equipped with strong aluminium oars



Aluminium seatbench

The aluminium seatbench is adjustable, lightweight and maintenance free.

TLA-Air floor

Comfortable and convenient

TLA 230 250 300 350

The Talamex Comfortline TLA with air floor is a boat with an inflatable keel. This creates a V-shaped floor that benefits the sailing and rowing qualities. Thanks to the V-bottom it is possible to plane the boat. The boat is lightweight, quick to set-up and small packed. In addition the inflatable bottom increases the sitting comfort. The ideal tender boat with excellent sailing characteristics.



Boat type	Length x Width (cm)	Floor	Max. load capacity (kg)	Max. engine in kW/HP	Max. engine weight (kg)	Package size boat (cm)	Max. passengers (+1=child)	Number of air chambers	Diameter tubes (cm)	Weight incl. oars (kg)	Transom height
85.912.230 TLA230	230 x 134	Air	372	3,7/5	30	97 x 58 x 24	2+1	3+1+1	36	25	Short
85.912.250 TLA250	250 x 152	Air	400	4,4/6	30	100 x 54 x 25	2+1	3+1+1	42	28	Short
85.912.300 TLA300	300 x 152	Air	465	11,0/15	50	102 x 55 x 24	4	3+1+1	42	37	Short
85.912.350 TLA350	350 x 172	Air	696	14,7/20	60	116 x 60 x 30	5	3+1+1	45	46	Short

TLX-Aluminium floor

TLX 250 300 350

Robust and comfort

The Talamex Comfortline TLX with aluminium floor is a boat with an inflatable keel. This creates a V-shaped floor that benefits the sailing and rowing qualities. Thanks to the V-bottom it is possible to plane the boat. The aluminium floor ensures great firmness and stability and is almost maintenance-free. This boat is well suited to hang in the davits and as holiday boat. The aluminium floor requires more time to install than an air floor boat.



Boat type	Length x Width (cm)	Floor	Max. load capacity (kg)	Max. engine in kW/HP	Max. engine weight (kg)	Package size boat (cm)	Max. passengers (+1=child)	Number of air chambers	Diameter tubes (cm)	Weight incl. oars (kg)	Transom height
85.912.450 TLX250	250 x 152	Aluminium	400	4,4/6	30	100 x 54 x 25	2 + 1	3 + 1	42	35	Short
85.912.500 TLX300	300 x 152	Aluminium	465	11,0/15	50	102 x 55 x 24	4	3 + 1	42	49	Short
85.912.550 TLX350	350 x 172	Aluminium	696	14,7/20	60	116 x 60 x 30	5	3 + 1	45	59	Short

TLRA-Aluminium RIB

TLRA 270

Best of both worlds

The Talamex Comfortline TLRA RIB has a fixed single-deck aluminium V-shaped hull which has been finished with anti skid pads. This makes the boat very fast and manoeuvrable, strong and stable. An ideal boat for the davits. The Talamex Comfortline TLRA RIB is the boat for everyone who wants to sail fast and comfortable.



Boat type	Length x Width (cm)	Floor	Max. load capacity (kg)	Max. engine in kW/HP	Max. engine weight (kg)	Max. passengers (+1=child)	Number of air chambers	Diameter tubes (cm)	Weight incl. oars (kg)	Transom height
85.912.771 TLRA270	270 x 163	Aluminium	370	7,4/10	45	3+1	3	42	38	Short

Talamex electric outboard engines

TM 30 40 48 58 66 86

Combine your Talamex boat with a Talamex electric outboard engine!

- Telescopic tiller with 5 forward and 3 reverse gears
- Suitable for fresh, brackish and salt water
- Immersion depth and infinitely adjustable steering pressure
- Battery charging control display
- Battery clamps



Article number	Description	Max boatweight (kg)	Shaft length (mm)	Tiller	Weight (kg)
85.804.030	Talamex electric outboard engine TM30 12V	850	760	Telescopic	7,2
85.804.031	Talamex electric outboard engine TM40 12V	1.200	910	Telescopic	8,8
85.804.032	Talamex electric outboard engine TM48 12V	1.450	910	Telescopic	8,8
85.804.033	Talamex electric outboard engine TM58 12V	1.850	910	Telescopic	10
85.804.034	Talamex electric outboard engine TM66 12V	2.200	910	Telescopic	11,5
85.804.035	Talamex electric outboard engine TM86 24V	2.500	910	Telescopic	12,5
85.804.026	Eyeterminal wire kit (optional)	-	-	-	-
85.922.215	Bracket for trollingmotor bow mounting grey	-	-	-	-
85.922.240	Bracket for trollingmotor bow mounting black	-	-	-	-
14.641.105	Talamex Battery Box with Quickfit connection 2x12V and battery tester, 30A	-	-	-	-
14.641.106	Talamex Battery Box with Quickfit connection 2x12V and battery tester, 50A	-	-	-	-
14.661.100	Talamex automatic battery charger 10A, 12/24V	-	-	-	-
14.649.905	Battery Nautic 12V 105A	-	-	-	-

Mariner outboard engines

F2.5M F3.5M F4M F5M F6M F8M F9.9M

Mariner has a great reputation with its outboard engines. As reliable as the engines of Mariner there are few other brands. Just carefree years sailing pleasure.

The Mariner range at LankhorstTaselaar starts at the light 2,5HP engines for smaller boats to the heavier four stroke engines for larger boats! So there is always a model that fits your use and type of boat.



Article number	Description	Engine power in kW	Engine power in HP
98.000.120	Mariner F 2.5 M	1,9	2,5
98.000.121	Mariner F 3.5 M	2,6	3,5
98.000.123	Mariner F 4 M	2,9	4
98.000.126	Mariner F 5 M	3,7	5
98.000.128	Mariner F 6 M	4,4	6
98.000.130	Mariner F 8 M	5,9	8
98.000.131	Mariner F 9.9 M	7,3	9,9

Accessories

Mariner outboard engines



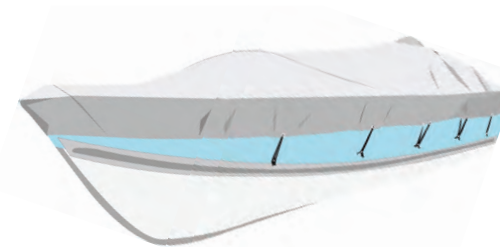
Article number	Description
81.211.105	Jerrycan fuel black 5l (264 x 140 x 246mm)
81.211.110	Jerrycan fuel black 10l (325 x 165 x 318mm)
81.211.120	Jerrycan fuel black 20l (389 x 213 x 388mm)
18.702.012	Carry can fuel 12l (260 x 460 x 220mm)
18.702.000	Carry can fuel 22l (320 x 540 x 235mm) with indicator
18.702.023	Carry can fuel 22l (320 x 540 x 235mm)
18.702.030	Carry can fuel 30l (360 x 500 x 230)
91.101.810	Outboard Cover XXS for 2,5-5HP (LxWxH: 40 x 25 x 30cm)
91.101.811	Outboard Cover XS for 2,5-15HP (LxWxH: 48 x 27 x 33cm)
18.701.001	Fuel hose with pump ball - 2m, Ø 9,5mm (3/8")
75.460.100	Tiller extension for outboards 60-120cm, Ø 25-30mm
42.130.100	Outboard motor lock with stainless steel AISI 316 cylinder lock. Dim.: 300 x 40 x 35mm
42.117.002	Outboard lock SS with hardened roller. Dim: 300 x 40 x 40mm

Accessories

Article number	Description
85.922.108	Seatbag with cushion grey - 120x20cm
85.922.109	Seatbag with cushion grey - 105x20cm
85.922.110	Seatbag with cushion grey - 100x20cm
85.922.111	Seatbag with cushion grey - 90x20cm
85.922.112	Seatbag with cushion grey - 85x20cm
85.922.113	Seatbag with cushion grey - 80x20cm
94.100.020	Drybag 5L
94.100.021	Drybag 10L
94.100.022	Drybag 15L
85.922.123	Pressure gauge for handpump
85.922.040	Handpump standard valve Talamex
85.922.214	Anchor line holder for inflatable boat
20.300.165	Bravo BST 800 electric airpump
20.300.176	Bravo BST 800 Battery electric airpump
20.300.160	Bravo GE 230/1000 electric airpump
95.900.337	Oarlock replacement kit for bimini Aqualine, Greenline, Superlight
95.900.338	Oarlock replacement kit for bimini Comfortline, Highline, Silverline
95.900.339	Stainless steel bimini holder for oarlocker
85.922.236	Glue-on accessory base/mount (pair)
85.922.237	Adjustable plug-in holder for fishing rod
85.922.238	Adjustable plug-in platform for fishfinder/chartplotter



Accessories



Article number	Description
77.203.001	Folding anchor 1,5kg
77.203.002	Folding anchor 2,5kg
77.203.003	Folding anchor 3,2kg
77.203.004	Folding anchor 4kg
77.203.006	Folding anchor 6kg
79.625.102	Boarding ladder for inflatables aluminium 2 steps
79.625.103	Boarding ladder for inflatables aluminium 3 steps
85.540.174	Transporträder Spiegelmontage
81.101.829	Boatcover Maxi Tender (300-360cm)
81.101.830	Boatcover Tender (240-300cm)
81.101.831	Boatcover XXS (420-480cm). (Boatwidth max. 180cm)
81.101.832	Boatcover XS (420-480cm). (Boatwidth max 229cm)
85.930.200	Aluminium pole for boat covers 60-100cm
85.000.424	Valet kit
85.000.430	Insta-Lock lock and lift system

Specifications

Boat type	Length x Width (cm)	Floor	Max. load capacity (kg)	Max. engine in kW/HP	Max. engine weight (kg)	Package size boat (cm)	Package size floor (cm)	Max. passengers (+1=child)	Number of air chambers	Diameter tubes (cm)	Weight incl. oars (kg)	Transom height
85.912.230 TLA230	230 x 134	Air	372	3,7/5	30	97 x 58 x 24	-	2+1	3+1+1	36	25	Short
85.912.250 TLA250	250 x 152	Air	400	4,4/6	30	100 x 54 x 25	-	2+1	3+1+1	42	28	Short
85.912.300 TLA300	300 x 152	Air	465	11,0/15	50	102 x 55 x 24	-	4	3+1+1	42	37	Short
85.912.350 TLA350	350 x 172	Air	696	14,7/20	60	116 x 60 x 30	-	5	3+1+1	45	46	Short
85.912.450 TLX250	250 x 152	Aluminium	400	4,4/6	30	100 x 54 x 25	80 x 65 x 6	2 + 1	3 + 1	42	35	Short
85.912.500 TLX300	300 x 152	Aluminium	465	11,0/15	50	102 x 55 x 24	85 x 55 x 10	4	3 + 1	42	49	Short
85.912.550 TLX350	350 x 172	Aluminium	696	14,7/20	60	116 x 60 x 30	100 x 65 x 10	5	3 + 1	45	59	Short
85.912.771 TLRA270	270 x 163	Aluminium	370	7,4/10	45	-	-	3+1	3	42	38	Short

COMFORTLINE

The complete range of Talamex inflatable boats consists of the following models.
Ask your dealer for more information or visit www.talamexinflatables.com



© 2021-01 Lankhorst Taselaar. All rights reserved. Lankhorst Taselaar continuously explores means the products it designs, manufactures and distributes to improve. We strive to the utmost to produce up-to-date sales and service documentation. The technical specifications of engines, boats and accessories are ongoing subject to change. This brochure should not be regarded as a precise guide to find the latest technical information. Also, this brochure is not intended as a sales brochure for particular engine, boat or accessories. Distributors and dealers are no agents of Lankhorst Taselaar and has no authority to give explicit commitments on behalf of Lankhorst Taselaar, including but not limited to, statements with respect to a product, sales, applications or service. Not all products are available in all countries. Some products shown in this catalog are equipped with optional accessories. Please consult your dealer. Model, color, image, specifications changes reserved.



Talamex Marine Products distributed by Lankhorst Taselaar

Komeet 13 | 8448 CG Heerenveen | The Netherlands

T +31 (0)320 27 46 11 | E sales@lankhorst-taselaar.nl

I www.talamexinflatables.com

